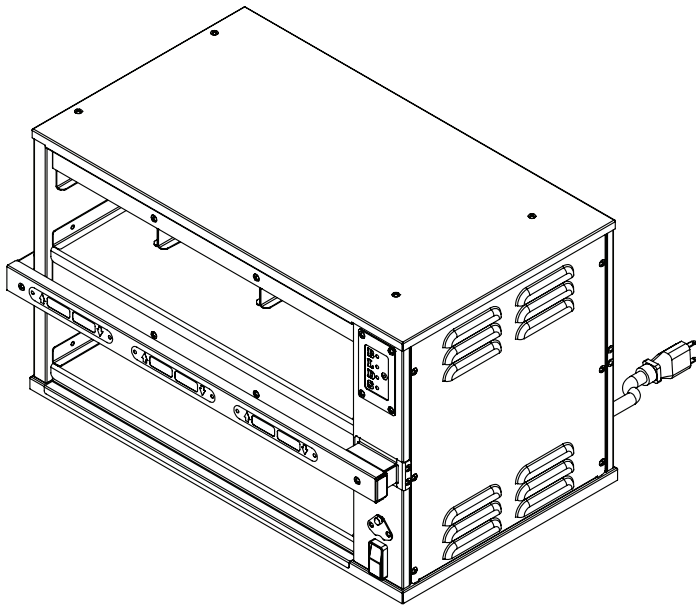




Your Solutions Partner

Specifications

F.O.B. Sedalia, Missouri 65301



HS2-23 - 4" Deep Multi Pan

Approval Stamp(s):

PRODUCT HOLDING UNIT - HS2-Deep

PRODUCT INFORMATION:

PROJECT: _____

ITEM: _____

QUANTITY: _____

MODEL:

Product Holding Unit -
HS2 4" Deep Pans Multi Pan

HS2-23-2304T1PCEBFGM 2 down, 3 across, single sided

HS2-23-2304T2PCESFGM 2 down, 3 across, double sided

BODY:

Stainless Steel Exterior construction for durability and ease of construction.

Robust metal pan cover eliminates the cost and hassle of plastic lids.

Fully sealed, user replaceable timer bars that are designed for clean ability.

Sturdy, fully sealed shelves to prevent grease migration.

4" deep pans for approx. 60% added pan capacity.

Ability to use 1/1,1/2 or 1/3 GN pans on each shelf

HEATING:

Zone heat for customized heating solutions.

Quick heat up, approximately 20 minutes.

Top and Bottom independent heaters for customized hold recipes.

CONTROLS:

Allows operator to set time decrement for each pan.

Cook time warning allows for timely replenishment.

Improved display shows item being held.

Easy to reconfigure pan settings with flash drive programming feature from web based program site.

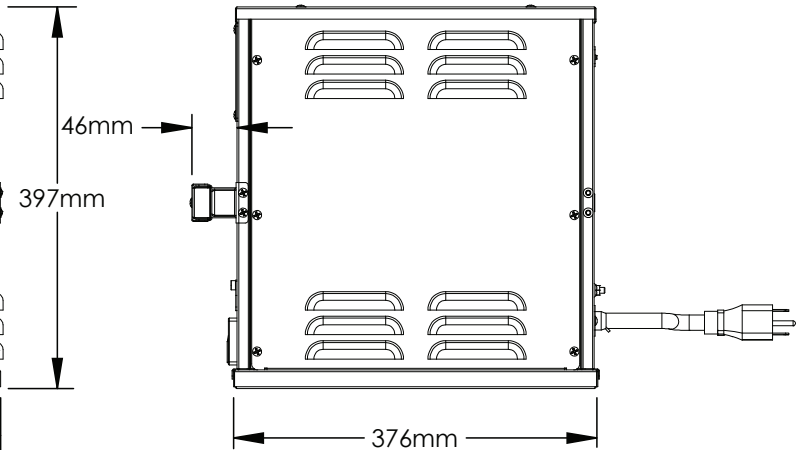
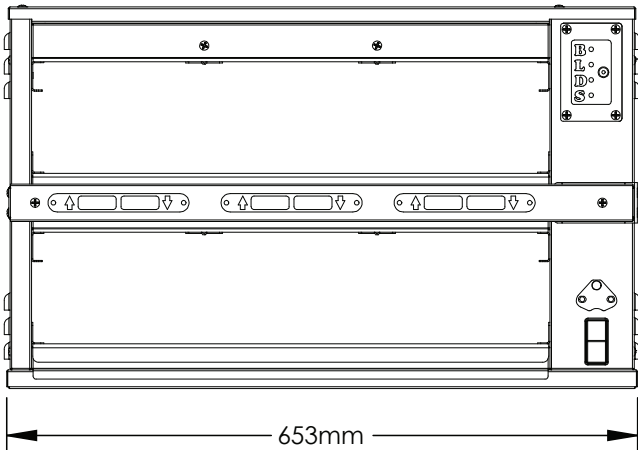
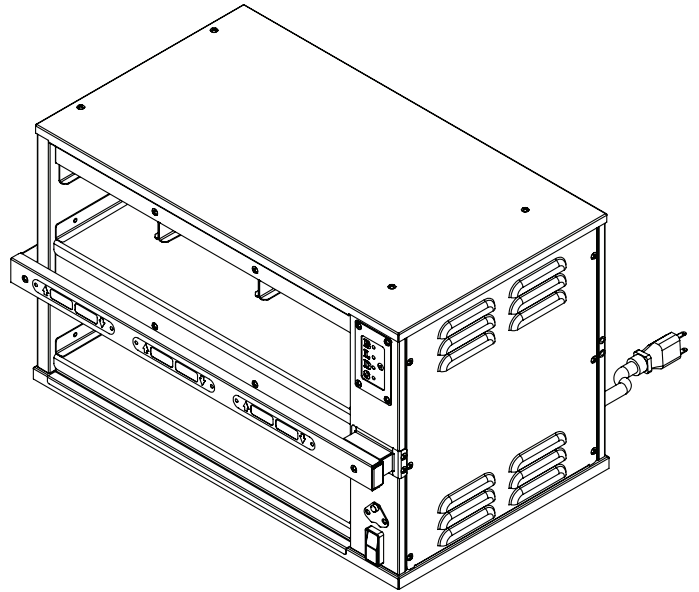
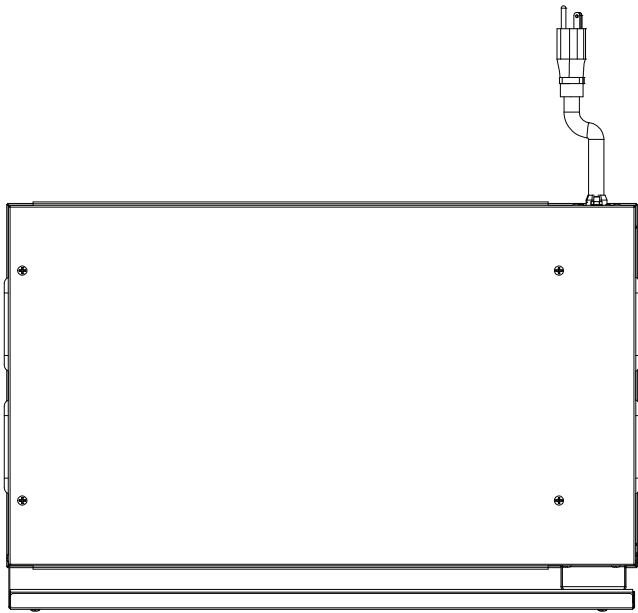
DUKE MANUFACTURING
CO. 2305 N. Broadway
St. Louis, MO 63102
800.735.3853 Toll Free
314.231.5074 Fax
www.dukemfg.com
UK Phone: +44 (0)1395 234140
SS-1055 HS2-4 Deep



Specification and pricing subject to change

REV A 07/30/2019

HS2-4" Deep Multi Pan



International Base Model	Volts (V)	Amps(A)	Watts(W)	Hz	Cord Type	Shipping Weight
HS2-23-2304T1D	220-240 V	8.2 / 7.5	1800W	50-60hz	IEC 60309	101 lbs / 46 kg
Domestic Base Model	Volts (V)	Amps(A)	Watts(W)	Hz	Cord Type	Shipping Weight
HS2-23-2304T1D	208-240 V	8.7 / 7.5	1800W	60hz	Nema 6-15P	101 lbs / 46 kg

PRODUCT HOLDING UNIT - HS2-Deep



Duke Manufacturing Co.

2305 N. Broadway
St. Louis, MO 63102

UK Phone: +44 (0)1395 234140

www.dukemfg.com