



Your Solutions Partner

Flexible Batch Broiler CE Version

MODELS:

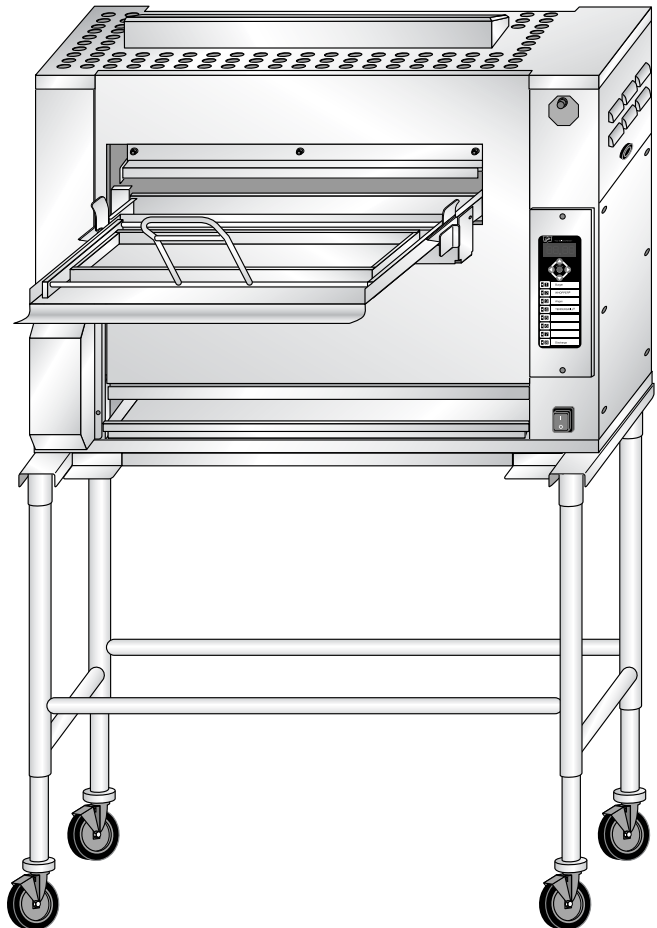
FBB-10-230 FBB-1C-230

FBB-20-230 FBB-2C-230

FBB-30-230 FBB-3C-230

FBB-50-230 FBB-5C-230

Illustrated Parts List



*This manual is Copyright © 2014 Duke Manufacturing Company. All rights reserved.
Reproduction without written permission is prohibited. Duke is a registered
trademark of the Duke Manufacturing Company.*

Duke Manufacturing Company

**2305 N. Broadway
St. Louis, MO 63102
Phone: 314-231-1130
Toll Free: 1-800-735-3853
Fax: 314-231-5074
www.dukemfg.com**

How to Determine Manufacture Date from Duke Equipment Serial Numbers

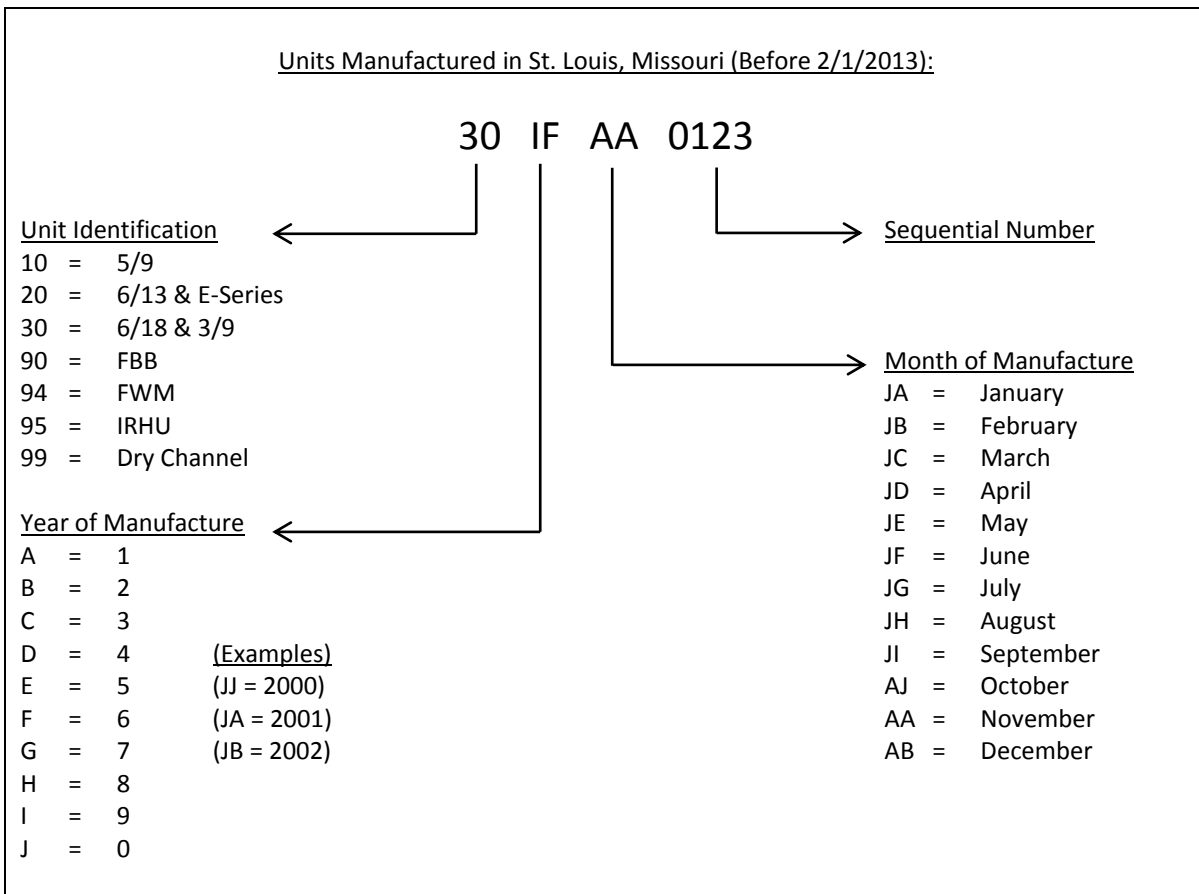
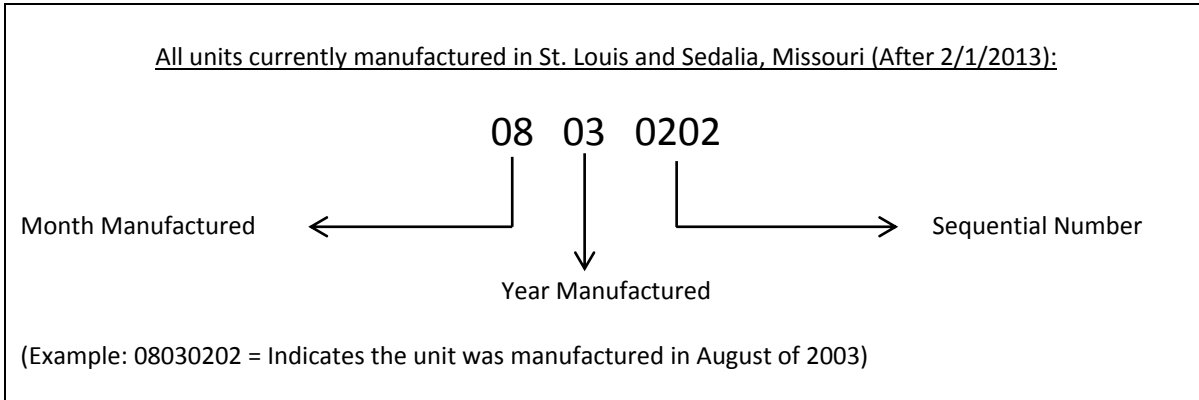


TABLE OF CONTENTS

FBB COVERS, ACCESS PANELS AND PANS.....	4
COMPONENTS TOP, FRONT AND CONTROL SIDE	6
COMPONENTS REAR AND DISCHARGE SIDE.....	10
STAND COMPONENTS.....	12

FBB CE VERSION – COVERS, ACCESS PANELS AND PANS PARTS LIST

Location	Part Number	Description	Quantity
1	175300	Front Panel	1
2	175444	Loader	1
3	175430	Loader Tray	1
4	175438	Loader Mounting Bracket	1
5	175429	Door	1
6	175741	Loader Ramp	1
7	175293	Flame Arrestor	1
8	175325	“V” Grease Pan	1
9	175329	Main Grease Pan	1
10	175351	Panel, Lower “J” Burner	1
11	175200	Weldment, Burner Shield	1
	176349	Weldment, Burner Shield, XT (EMEA Region)	1
12	175934	Burner, Tube, 0.375 Air Shutter Setting	1
	176350	Kit, Adjustable Burner Installation (EMEA Region)	1
	176521	Burner, FBB (Australia, LPG)	1
13	175177	Motor Cover, Conveyor Drive Motor	1
14	175392	Panel, Right Side Upper Lift Off	1
15	175383	Panel, Access Electrical LWB	1
16	175305	Rear Access Panel	1
17	155695	Pan, PHU	A/R
18	175353	PHU Pan Shelf	1
19	175778	Discharge Hood	1
20	175358	Discharge Pan	1
21	175357	Side, Grease Pan	1
22	175340	Discharge Chute	1
Not Shown	600224	Kit, Service, Discharge Chute Arm Pins	A/R
Not Shown	600330	Kit, Bracket, Discharge, FBB	1
23	175250	Panel, Access Discharge	1
24	175150	Pivot Ash Scraper	1
25	175226	Impedance Pan (No Optional Catalyst)	1
Not Shown	175480	Catalyst, Optional	1
Not Shown	176546	Catalyst with Interlock Actuator (Australia)	1
Not Shown	175482	Catalyst Guard, Required With Catalyst	1
Not Shown	176333	Kit, Catalyst with Riser & Guard	1
26	175221	Body Top	1
	176523	Body Top (Australia)	1
Not Shown	176544	Switch, Catalyst Interlock (Australia)	1
27	175225	Weldment, Upper Flue	1

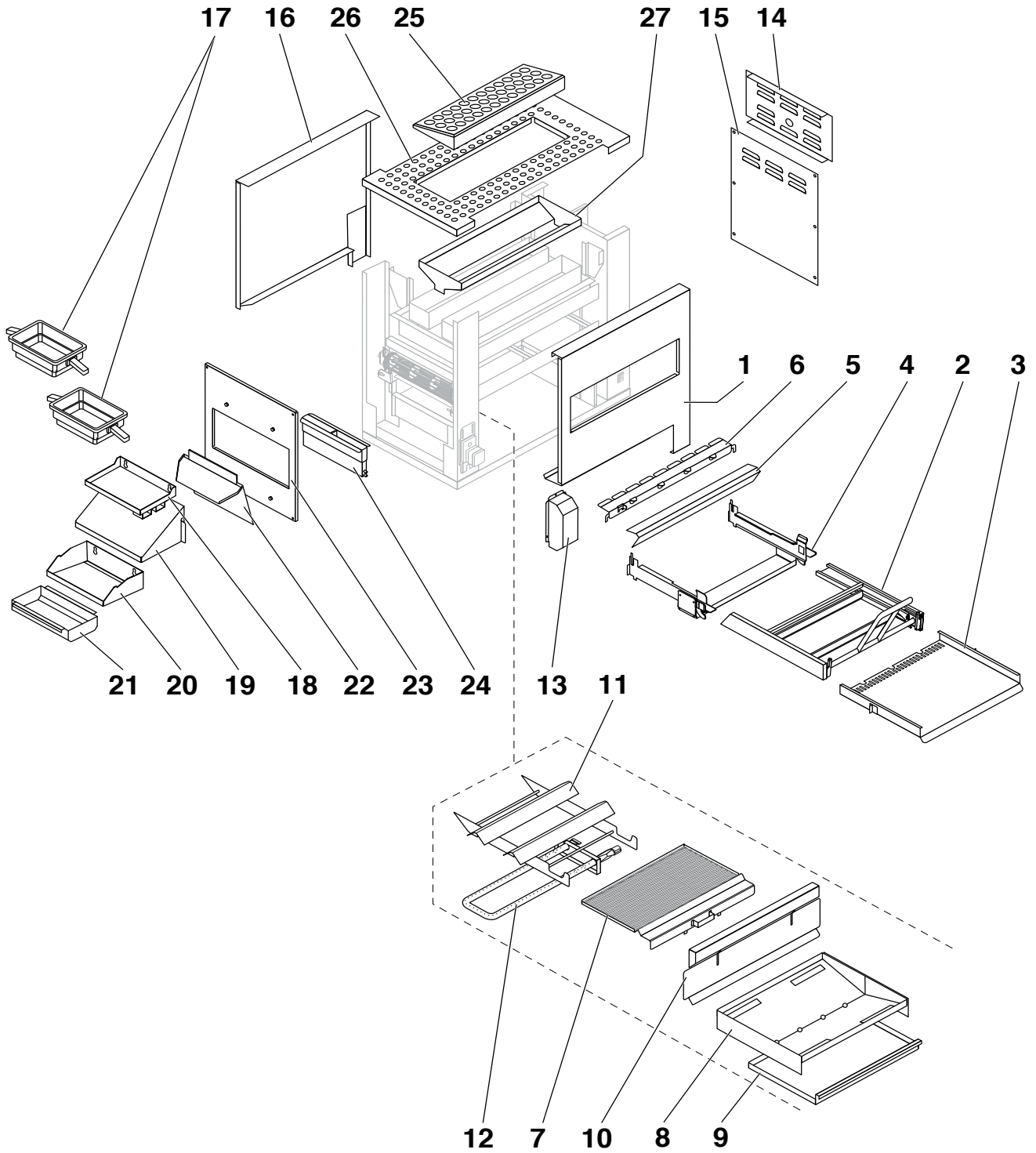


Figure: PL-1 Exploded View FBB CE wCovers, Access Panels and Pans

FBB CE VERSION – COMPONENTS: TOP, FRONT AND ELECTRICAL COMPARTMENT SIDE

Location	Part Number	Description	Quantity
28	175066	Burner, Mounting Bracket	2
29	175780	Burner, Infrared	2
30	175875	Motor, Conveyor Drive	1
31	175176	Mounting Bracket, Conveyor Drive Motor	1
32	175517	Sprocket, B21 X 3/8" Motor	1
33	175550	Light, Cook	1
34	175503	Switch, Main Power	1
35	175536	Igniter - Remote Sense (IR & Lower Burner)	3
	176560	Igniter, Lower Burner (Australia)	1
Not Shown	175095	Weldment, Igniter Gaurd	1
36	175086	Shaft Plate, Right Side	2
37	175525	Bushing Block, Conveyor	4
38	175038	Conveyor Shaft, Right Side	1
39	175356	Frame, Control Board Mounting Bezel	1
40	175918	Control Board	1
41	175510	Gasket, Control Bezel	1
42	175538	Ignition Suppression Cable, Lower Ignition Module	1
43	175802	Capacitor, Motor, Conveyor	1
44	175877	Ignition Module, Lower J Burner (24-5-3) CE	3
45	175876	Ignition Module, Lower J Burner (LP ONLY – NOT SHOWN)	1
46	175765	Transformer-Terminated-240V PRI, 24V SEC	2
47	175870	Relay, Solid State	2
48	175537	Ignition Suppression Cable, Upper Ignition Module	2
49	175553	Connect Block, 3 Wire	1
50	175920	Kit, Valve CE with Fitting	1
Not Shown	176329	CE Valve Filter	1
Not Shown	175812	Harness Assembly – Valve Rectifier	1
Not Shown	600301	Kit, CE Gas Valve & Rectifier	1
Not Shown	175813	Flange with O-Ring & Screws	1
51	175540	Brass Fitting – Gas Valve to Burner Supply Tube	2
52	600290	Kit, Lower Orifice Holder Replacement	1
	175823	Orifice, Lower Burner 3.05MM (Nat Gas, 120/230V Int, H/Alt)	1
	175935	Orifice, Lower Burner #30, H/Alt (Nat Gas, 230V International)	1
	175952	Orifice, Lower Burner 1.70MM (Propane/Butane Mix, 230V Int)	1
	175953	Orifice, Lower Burner 1.85MM (Propane, 230V International)	1
	176388	Orifice, Lower Burner 2.00MM (Propane, 230V International)	1
	176522	Orifice, Lower Burner 1.75MM (Propane, 230V Australia)	1
	600291	Kit, FBB, W/Low Calorific Gas	1
54	175511	Gasket, Blower Inlet	1
55	600248	Kit, CE Blower & Gasket	1
Not Shown	600286	Kit, Blower Upgrade Components, FBB	1
Not Shown	175184	Relay, Flange Mount, 10A, 24VAC	1

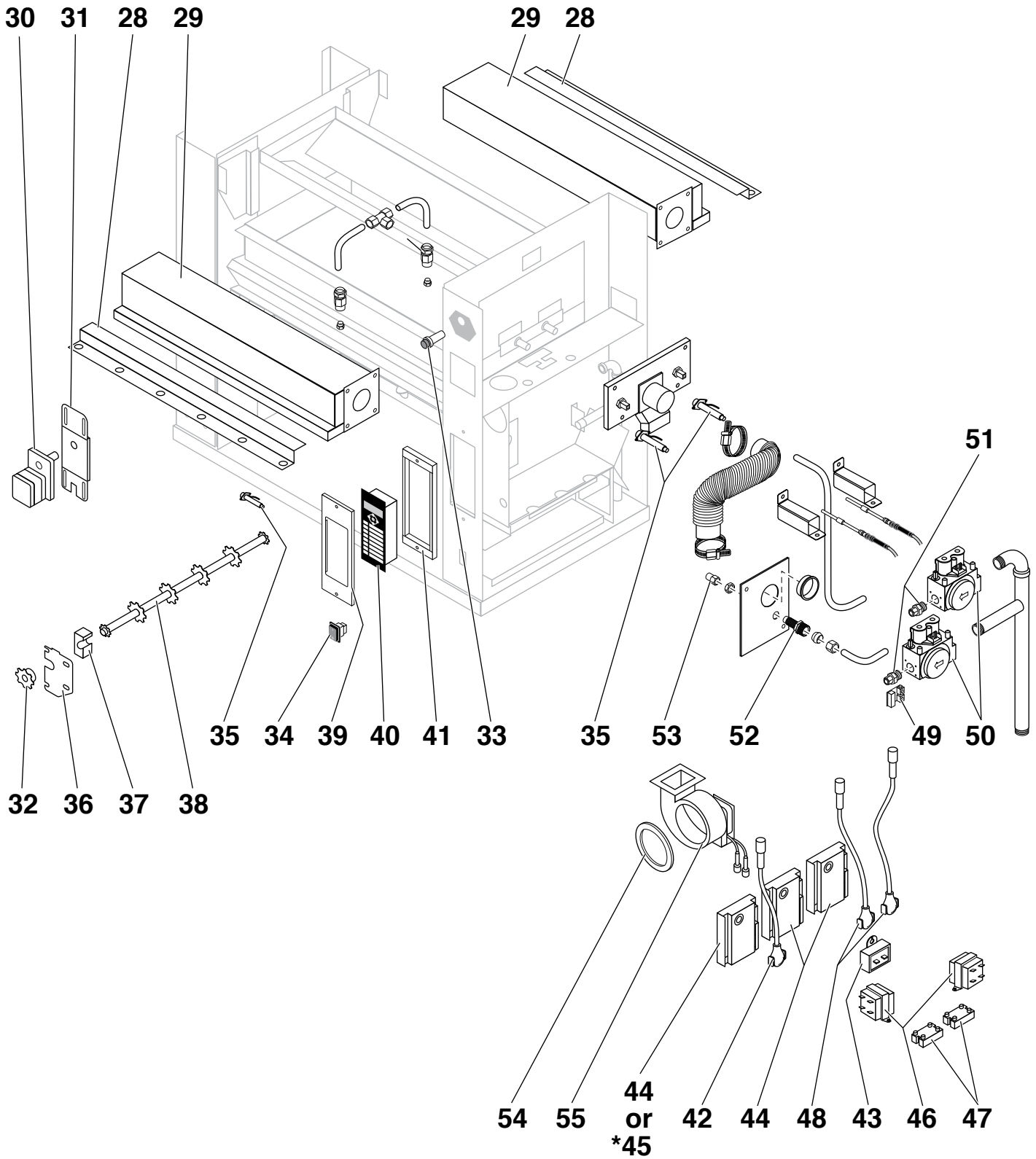


Figure: PL-2 Exploded View Components – Top, Front and Electrical Compartment Side

FBB CE VERSION – COMPONENTS: TOP, FRONT AND ELECTRICAL COMPARTMENT SIDE

Location	Part Number	Description	Quantity
56	175380	Shield, Ignition Cable	2
57	175477	Tubing, Tee to Valve, Kit	1
58	175535	Sensor, IR Burner	2
59	175549	Hose Clamp	2
60	175532	Hose, Blower	1
61	175108	Bower Box Cover	1
62	175476	Tubing – Tee to IR Kit	2
63	175541	Tee, Compression Fitting	1
64	175542	Orifice, Holder Only, IR Burners (Additional Parts: 175547 3/8" Sleeve & 175548 3/8" Nut)	2
65	175814	Orifice, IR Burner 2.35MM (Nat Gas, 230V International)	1
	175816	Orifice, IR Burner 1.55MM (Propane, 230V International)	1
	175818	Orifice, IR Burner 1.40MM Propane/Butane Mix, 230V Int)	1
66	175815	Orifice, IR Burner 2.50MM (Nat Gas, 230V International)	1
	175817	Orifice, IR Burner 1.61MM (Propane, 230V International)	1
	175819	Orifice, IR Burner 1.51MM Propane/Butane Mix, 230V Int)	1
67	175478	Tubing, Lower Burner to Valve, Kit	1
	175547	Sleeve, 3/8" Compression	1
	175548	Nut, 3/8" Compression	1
68	175514	Bushing, Heyco, Shorty 1"	1
69	175376	Plate, Orifice Holder	1
70	175546	Jam Nut, Orifice Holder, Lower	2
71	175571	Piping, Gas Manifold	1
Not Shown	176343	Harness, Test Cord Flame Sense BK Broiler, CE	1
Not Shown	176569	Instructions, BK CE Flame Sensor Test Harness (176343)	1
Not Shown	176410	Assembly, Pressure Switch/Relay (Australia)	1
Not Shown	175185	Tubing, Silicone, Pressure Switch (Australia)	1
Not Shown	176408	Assembly, Pressure Switch (Australia)	1
Not Shown	176244	Assembly, Adapter, Blower Centrifugal Switch (Japan)	1

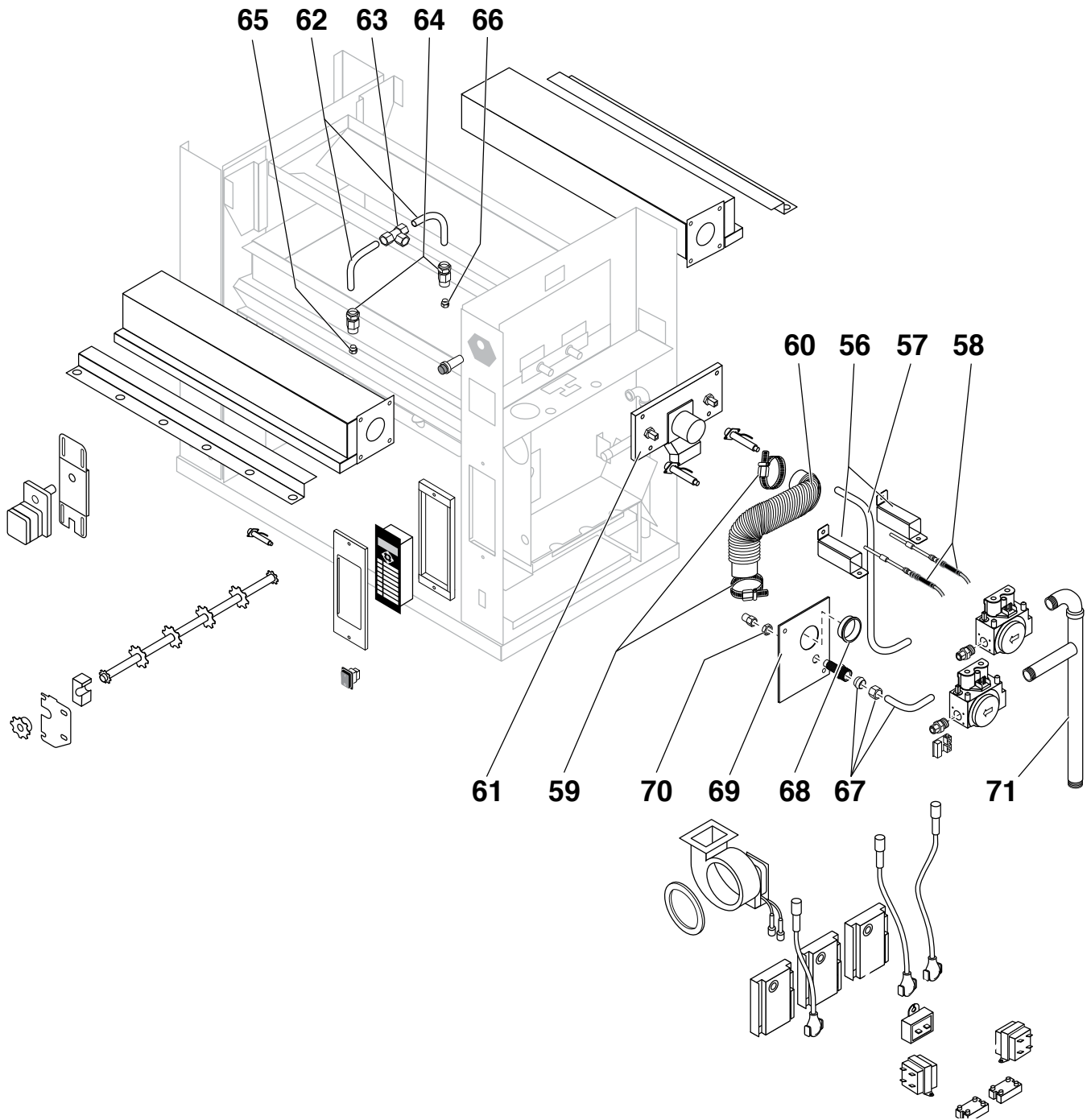


Figure: PL-3 Exploded View Components – Top, Front and Electrical Compartment Side

COMPONENTS – REAR AND DISCHARGE SIDE

Location	Part Number	Description	Quantity
36	175086	Shaft Plate, Right Side	2
37	175525	Bushing Block, Conveyor	4
72	175534	Sensor, Lower Burner	1
73	175977	Kit, Temperature Probe	1
74	175515	Strain Relief, Power Cord	1
75	175022	Conveyor, Bushing Block Mounting Bracket, Left Side	2
76	175037	Shaft, Discharge Side	1
77	175551	Chain, Drive	1
78	175674	Chain, Cook Conveyor	1

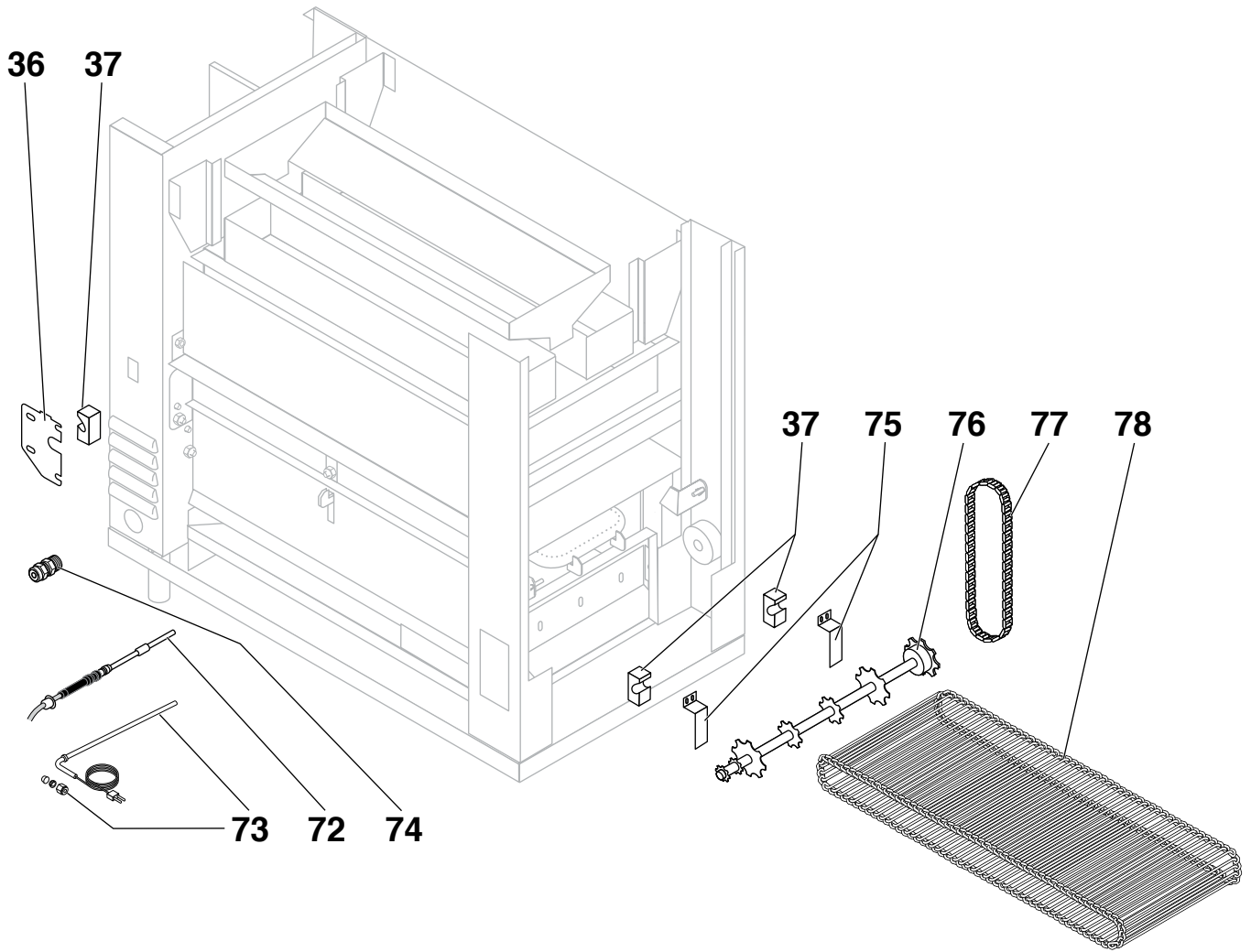


Figure: PL-4 Exploded View Components – Rear and Discharge Side

STAND COMPONENTS PARTS LIST

Location	Part Number	Description	Quantity
79	175748	Bracket, Sanitation Pail	1
80	175842	Sanitation Pail, Red	1
81	175461	Weldment, Broiler Stand	1
	176341	Assembly, KD Welded Broiler Stand (Australia)	1
82	175570	Gas Piping Kit	1
83	175565	U-Bolt	2
84	175563	Casters, Swivel, Non Braking	2
85	175562	Casters, Swivel With Brake	2
86	175485	Tube Burner Cleaning Tool	1
87	175705	Brush, Flame Rod Tube Cleaner	1
88	175701	Flame Rod Tube Cleaner	1
89	0220750	Nut, Acorn 1/4" x 20-3	4
90	175459	Saddle, U-Bolt	2
91	175468	5/16 - 18 X 3/4 Button Head Screw	8
Not Shown	175689	Kit, Hi Service Pressure	1
Not Shown	175690	Kit, Gas Connector Assembly	1

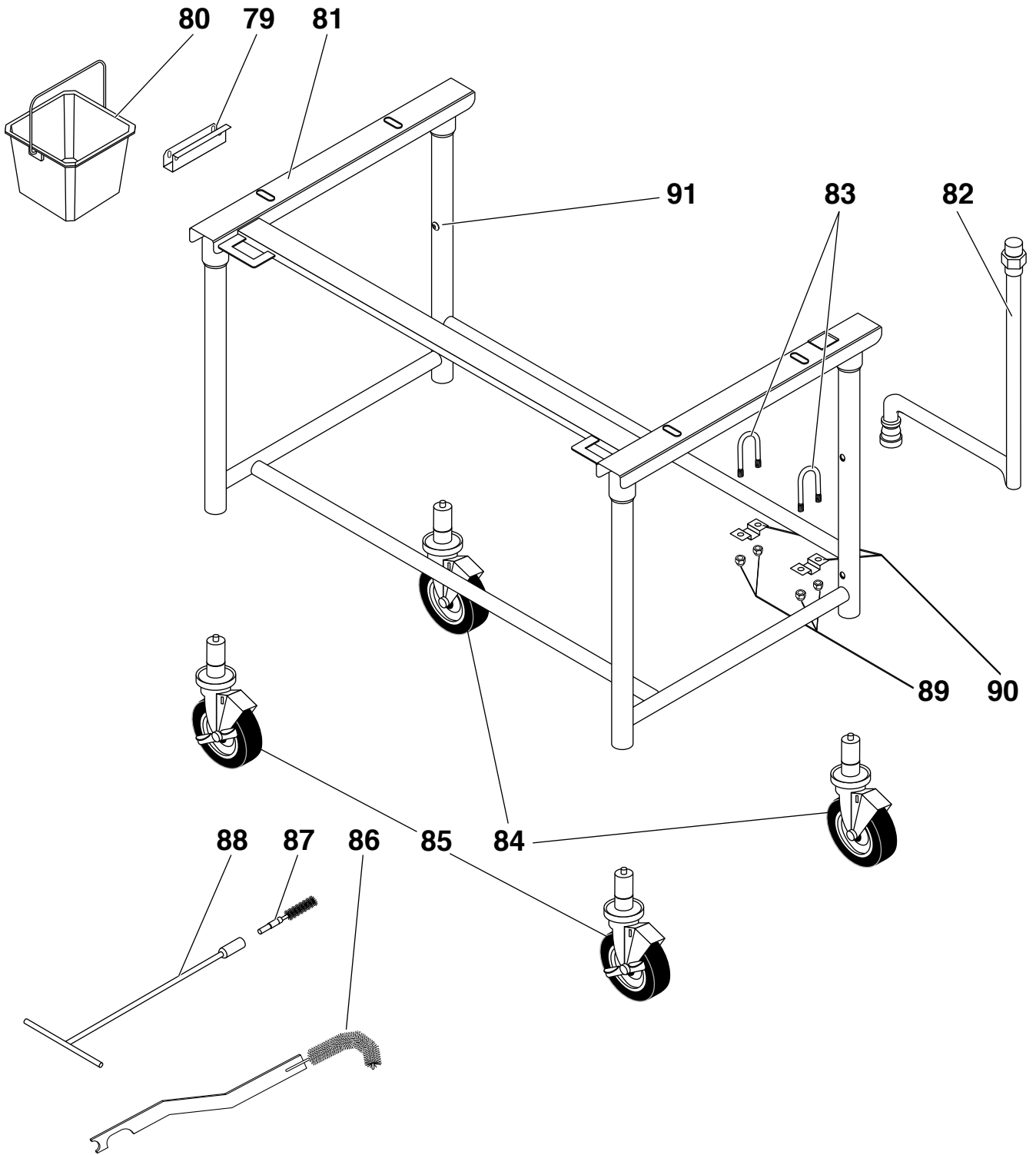


Figure: PL-5 Exploded View Components – Stand



NOTES

CUSTOMER ASSISTANCE

To aid in reporting this unit in case of loss or theft, please record below the model number and serial number located on the unit. We also suggest you record all the information listed and retain for future reference.

MODEL NUMBER:	SERIAL NUMBER:
DATE OF PURCHASE:	
DEALER:	TELEPHONE:
SERVICER:	TELEPHONE:

FOR WARRANTY, PARTS & SERVICE:

**DUKE CORPORATE,
CANADA, LATIN AMERICA**

2305 N. Broadway
St. Louis, MO 63102
Phone: 314-231-1130
Toll Free: 800-735-3853
Fax: 314-231-2460
service-dispatch@dukemfg.com

DUKE ASIA PACIFIC

Duke Manufacturing
No.3 Building
Lane 28, Yu Lv Road
Malu Town, Jiading District
Shanghai 201801, China
Phone: +86 21 59153525 / 59153526
Fax: +86 21 33600628
service.asiapac@dukemfg.com

**DUKE EMEA - EUROPE,
MIDDLE EAST, AFRICA, RUSSIA**

Duke Manufacturing CR, s.r.o.
Na Dlouhem 86
Jazlovice, Ricany
Building number DC 4 on the
ProLogis Park Prague D1 West
Prague 251 01
Czech Republic
Phone: +420 323 608 193
Fax: +420 323 608 144
service.emea@dukemfg.com

DUKE EMEA – UK, IRELAND

Phone: +44 (0) 1395 234140
Fax: +44 (0) 1395 234154
service.emea@dukemfg.com

TO ACCESS INTERNET: www.dukemfg.com

Please provide the following information when you write or call: model number, serial number, date of purchase, your complete mailing address (including zip code), and description of the problem.



Your Solutions Partner